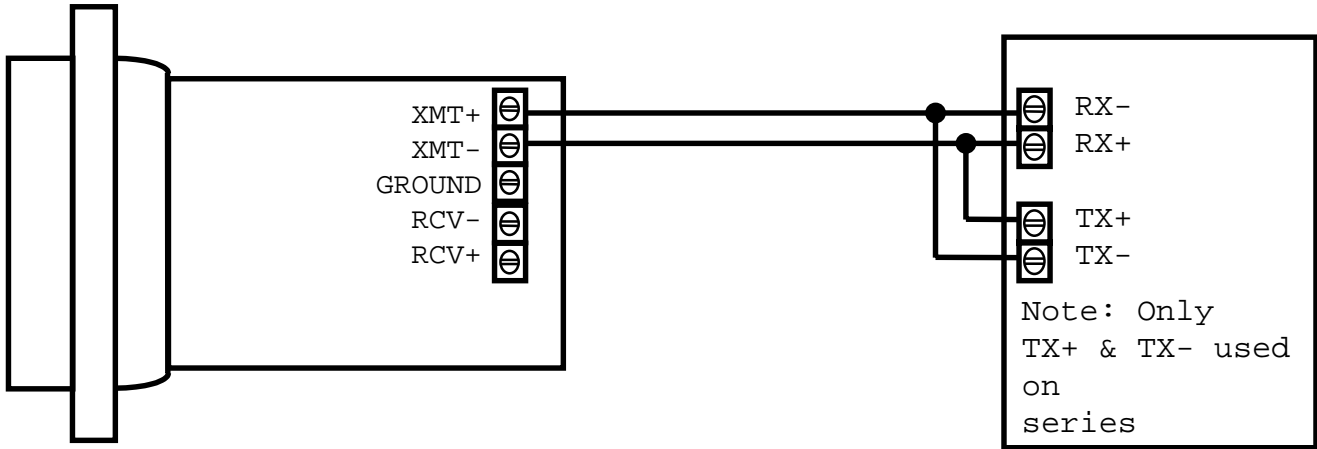


Model 2085 RS485 (2 Wire) Wiring

FGH PRODUCTS



8 Way Dip Switch

Settings

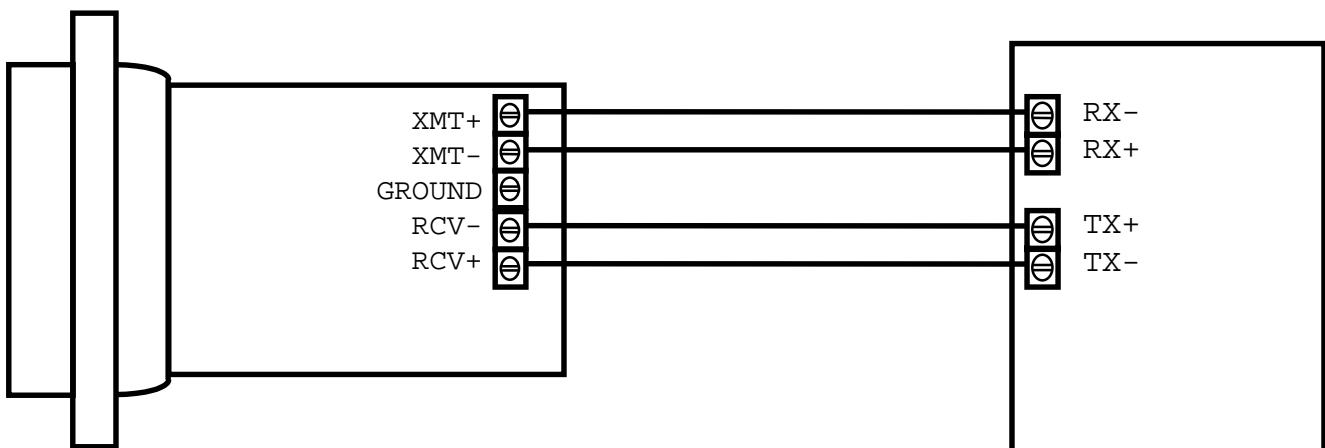
- Sw 1 off
- Sw 2 off
- Sw 3 off
- Sw 4 off
- Sw 5 on
- Sw 6 off
- Sw 7 on

DCE/DTE Switch set to: DCE

Recommended cable: Alpha 2461 or similar

Model 2085 RS422 (4 Wire) Wiring

FGH PRODUCTS



8 Way Dip Switch

Settings

- Sw 1 off
- Sw 2 off
- Sw 3 off
- Sw 4 off
- Sw 5 off
- Sw 6 off
- Sw 7 off

DCE/DTE Switch set to: DCE

Recommended cable: Alpha 5902 or similar